



In-Line Ultra Hygienic Mixers

UHS Series Mixers

Capacity

Self-pumping throughputs of up to 20,000 litres/hr.

No Bypassing

Products cannot bypass the precision rotor/stator workhead.

Interchangeable Workheads

Single stage rotor/stator configurations as standard. For those applications that require greater shear, interchangeable multistage configurations can be used.

Materials of Construction

Product contact parts in 316L stainless steel. Special materials on request.

Motor Specification

TEFV, ATEX approved Flameproof motors are available as standard. Inverter rated, stainless steel and other motors are available as optional extras.

Inlet and Outlet Connections

All sanitary screw or flange fittings available on request (e.g., ISS, DIN, RJT, SMS, Tri-Clamp, etc.).

Cleaning

Silverson UHS Series In-Line mixers are designed for cleaning in place (CIP or SIP).

Aeration Free

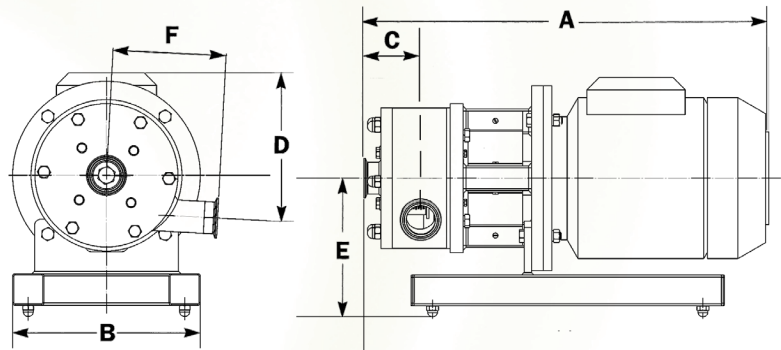
Operating Pressures

All ultra hygienic multipurpose models are designed for operation on pressures of up to 150 psi (10 bar). Higher pressure units are available on request.



In-Line Ultra Hygienic Mixers

UHS Series Mixers



Tri-clamp, 50Hz Motors

Model	kW	R.P.M.	TEFV A	ATEX A	B	C	D	E	F	Inlet/ Outlet
275 UHS	1.5	3000	512	518	215	80	166	168	133	38
450 UHS	7.5	3000	659	702	300	93	164	225	181	50
600 UHS	15	3000	838	838	381	110	197	263	210	76

All dimensions shown are in millimetres. The dimensions shown are approximate and certified diagrams should be used for installation purposes. Silverson reserves the right to change dimensions and specifications without notice.